

Receptacle JW

Switched, with mechanical interlock

High current socket outlet for the electrical connection of mobile consumer loads like construction machines, tunnel boring machines, conveyors, mining machines, cranes, ships, induction melting furnaces, test equipment, worksite distribution boards, etc.

Suitable for mobile plugs (JS).



200 A



250 / 400 A

Characteristics

- Current 200A, 250A, 400A
- Voltage up to 1'000 VAC, 50/60 Hz
- Number of poles: 4 poles (3L+PEN), 5 poles (3L+N+PE)
- Equipped with 2 leading pilot contacts
- Execution in accordance with IEC EN SN 60309-1, IEC EN SN 60439-1, IEC EN SN 60947-3
- Voltage identification in accordance with IEC EN SN 60309-2
- Sheet steel enclosure, powder-coated RAL 1021 (saltwater-proof V2A or V4A on request)
- Equipped with triple-pole switch, mechanical interlock against undesired actuation of live contacts
- Cable inlets alternatively from top or bottom
- Silver plated contact parts
- All screws and terminals in stainless steel
- Front part of the contact sleeves are exchangeable from the front side (250A and 400A), without removing the connected cable
- Cable entry bushing for cable 20 – 65 mm diameter

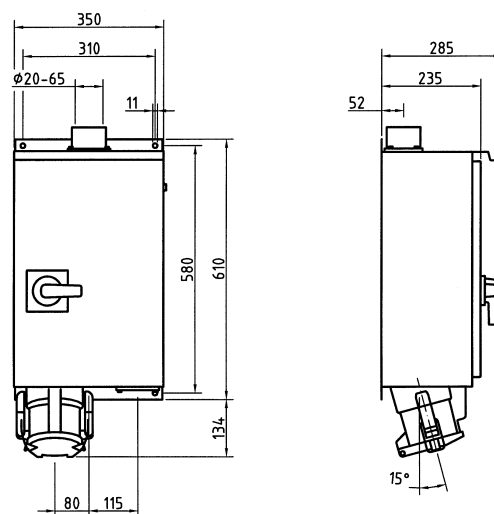
Technical data

Size	A	200	250	400
Rated current	A	250	315	450
Rated voltage	V	1'000	1'000	1'000
Rated frequency *	Hz	50 / 60	50 / 60	50 / 60
Withstand voltage (1 Min / 50 Hz)	V	4'000	4'000	4'000
Protection grade		IP X5	IP X5	IP X5
Ambient temperature	°C	-40 / +70	-40 / +70	-40 / +70
Insulation resistance (phase to phase and phase-to earth)	MOhm	> 500	> 500	> 500
Comparative tracking index of the insert	CTI	> 600	> 600	> 600
Weight 4 poles (3L+PEN)	kg	25.1	45.6	45.6
Weight 5 poles (3L+N+PE)	kg	25.3	47.1	47.1
Connection bolts for cable shoes		M8	M10	M10
Cross section pilot cable , conductor EN 60228 Class 1	mm ²	up to 4	up to 4	up to 4
Diameter of cable				
- normal	mm	25 - 65	25 - 65	25 - 65
- max. on request	mm	-	up to 80	up to 80

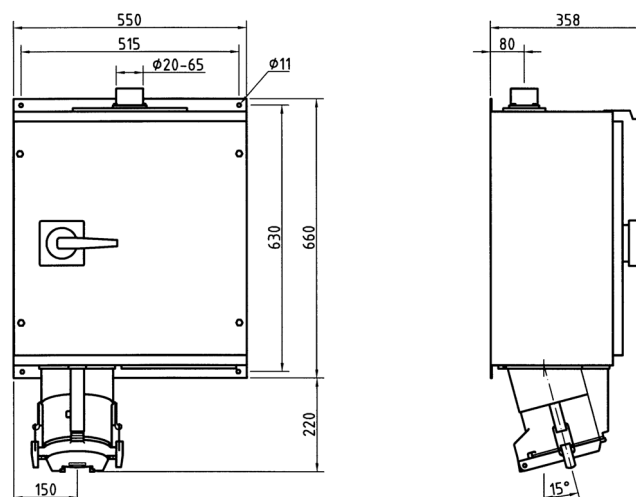
* other frequencies on request

Dimensional drawings

JW/200A



JW/250A
JW/400A



Ordering information

Current	Number of poles	Voltage/Identification	Type designation	Article No.
200 A	4 (3L+PEN)	230V / 9h	JW-S4/200A/230V	11790
		400V / 6h	JW-S4/200A/400V	11791
		500V / 7h	JW-S4/200A/500V	11792
		690V / 5h	JW-S4/200A/690V	11793
		1'000V / 1h	JW-S4/200A/1000V	11794
200 A	5 (3L+N+PE)	230V / 9h	JW-S5/200A/230V	11795
		400V / 6h	JW-S5/200A/400V	11796
		500V / 7h	JW-S5/200A/500V	11797
		690V / 5h	JW-S5/200A/690V	11798
		1'000V / 1h	JW-S5/200A/1000V	11799

Current	Number of poles	Voltage/Identification	Type designation	Article No.
250 A	4 (3L+PEN)	230V / 9h	JW-S4/250A/230V	11800
		400V / 6h	JW-S4/250A/400V	11801
		500V / 7h	JW-S4/250A/500V	11802
		690V / 5h	JW-S4/250A/690V	11803
		1'000V / 1h	JW-S4/250A/1000V	11804
250 A	5 (3L+N+PE)	230V / 9h	JW-S5/250A/230V	11805
		400V / 6h	JW-S5/250A/400V	11806
		500V / 7h	JW-S5/250A/500V	11807
		690V / 5h	JW-S5/250A/690V	11808
		1'000V / 1h	JW-S5/250A/1000V	11809

Current	Number of poles	Voltage/Identification	Type designation	Article No.
400 A	4 (3L+PEN)	230V / 9h	JW-S4/400A/230V	11810
		400V / 6h	JW-S4/400A/400V	11811
		500V / 7h	JW-S4/400A/500V	11812
		690V / 5h	JW-S4/400A/690V	11813
		1'000V / 1h	JW-S4/400A/1000V	11814
400 A	5 (3L+N+PE)	230V / 9h	JW-S5/400A/230V	11815
		400V / 6h	JW-S5/400A/400V	11816
		500V / 7h	JW-S5/400A/500V	11817
		690V / 5h	JW-S5/400A/690V	11818
		1'000V / 1h	JW-S5/400A/1000V	11819

Accessories

Description	Figure	Thread	Ø cable	Weight	Article No.
Cover plate for JW/250A and JW/400A		1xM64x2	43-53 mm	0.50 kg	12135
Cover plate for JW/250A and JW/400A		1xM80x2	54-61 mm	0.46 kg	12136

Accessories

Description	Figure	Thread	Ø cable	Weight	Article No.
Cover plate for JW/250A and JW/400A		1xM94x2	62-80 mm	0.60 kg	12137
Cover plate with 2 cable inlets for JW/250A and JW/400A		2x Ø65	2x45-65 mm	1.18 kg	12138