

Plug JS

High current plug for the electrical connection of mobile consumer loads like construction machines, tunnel boring machines, conveyors, mining machines, cranes, ships, induction melting furnaces, test equipment, worksite distribution boards, etc.

Suitable for mobile connectors (JK) or stationary socket outlets (JE, JWU, JW, JWS, JWL).



200 A



250 / 400 A

Characteristics

- Current 200A, 250A, 400A
- Voltage up to 1'000 VAC, 50/60 Hz
- Number of poles: 4 poles (3L+PEN), 5 poles (3L+N+PE)
- Equipped with 2 leading pilot contacts
- Execution in accordance with IEC EN SN 60309-1
- Voltage identification in accordance with IEC EN SN 60309-2
- Very robust design
- Silver plated contact parts
- All screws and terminals in stainless steel
- Front part of the contact pins are exchangeable from the front side (250A and 400A), without removing the connected cable
- Cable gland for cable 45 – 66 mm diameter

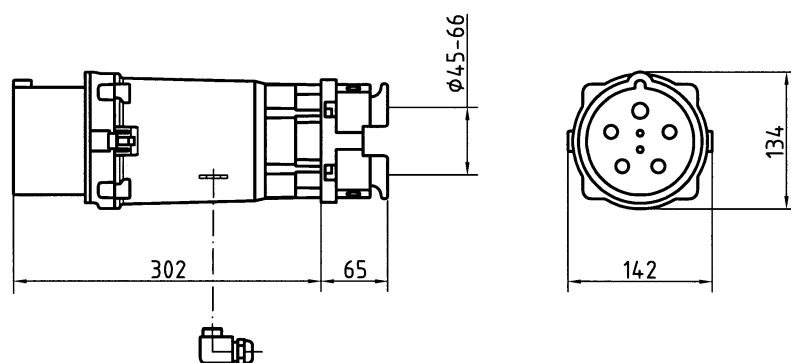
Technical data

Size	A	200	250	400
Rated current	A	250	315	450
Rated voltage	V	1'000	1'000	1'000
Rated frequency *	Hz	50 / 60	50 / 60	50 / 60
Withstand voltage (1 Min / 50 Hz)	V	4'000	4'000	4'000
Protection grade		IP X7	IP X7	IP X7
Ambient temperature	°C	-40 / +100	-40 / +100	-40 / +100
Insulation resistance (phase to phase and phase-to earth)	MOhm	> 500	> 500	> 500
Comparative tracking index of the insert	CTI	> 600	> 600	> 600
Weight 4 poles (3L+PEN)	kg	2.7	8.1	8.1
Weight 5 poles (3L+N+PE)	kg	2.9	8.6	8.6
Min. cross section, flexible conductor EN 60228 Class 5	mm ²	70	70	70
Max. cross section, flexible conductor EN 60228 Class 5	mm ²	150	185	185
Cross section pilot cable , flexible conductor EN 60228 Class 5	mm ²	up to 4	up to 4	up to 4
Diameter of cable				
- normal	mm	45 - 65	45 - 65	45 - 65
- max. on request	mm	-	up to 80	up to 80
Diameter of cable				
- separate pilot cable	mm	5 - 10	8 - 15	8 - 15

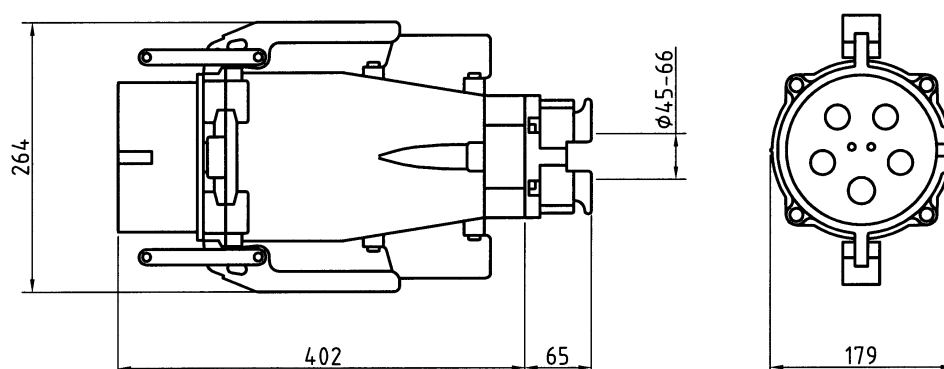
* other frequencies on request

Dimensional drawings

JS/200A



JS/250A
JS/400A



Ordering information

Current	Number of poles	Voltage/Identification	Type designation	Article No.
200 A	4 (3L+PEN)	230V / 9h	JS-S4/200A/230V	11430
		400V / 6h	JS-S4/200A/400V	11431
		500V / 7h	JS-S4/200A/500V	11432
		690V / 5h	JS-S4/200A/690V	11433
		1'000V / 1h	JS-S4/200A/1000V	11434
200 A	5 (3L+N+PE)	230V / 9h	JS-S5/200A/230V	11435
		400V / 6h	JS-S5/200A/400V	11436
		500V / 7h	JS-S5/200A/500V	11437
		690V / 5h	JS-S5/200A/690V	11438
		1'000V / 1h	JS-S5/200A/1000V	11439

Current	Number of poles	Voltage/Identification	Type designation	Article No.
250 A	4 (3L+PEN)	230V / 9h	JS-S4/250A/230V	11440
		400V / 6h	JS-S4/250A/400V	11441
		500V / 7h	JS-S4/250A/500V	11442
		690V / 5h	JS-S4/250A/690V	11443
		1'000V / 1h	JS-S4/250A/1000V	11444
250 A	5 (3L+N+PE)	230V / 9h	JS-S5/250A/230V	11445
		400V / 6h	JS-S5/250A/400V	11446
		500V / 7h	JS-S5/250A/500V	11447
		690V / 5h	JS-S5/250A/690V	11448
		1'000V / 1h	JS-S5/250A/1000V	11449

Current	Number of poles	Voltage/Identification	Type designation	Article No.
400 A	4 (3L+PEN)	230V / 9h	JS-S4/400A/230V	11450
		400V / 6h	JS-S4/400A/400V	11451
		500V / 7h	JS-S4/400A/500V	11452
		690V / 5h	JS-S4/400A/690V	11453
		1'000V / 1h	JS-S4/400A/1000V	11454
400 A	5 (3L+N+PE)	230V / 9h	JS-S5/400A/230V	11455
		400V / 6h	JS-S5/400A/400V	11456
		500V / 7h	JS-S5/400A/500V	11457
		690V / 5h	JS-S5/400A/690V	11458
		1'000V / 1h	JS-S5/400A/1000V	11459

Accessories

Description	Figure	Thread	Ø cable	Weight	Article No.
Cover cap for JS/200A				0.83 kg	12122
Cover cap for JS/250A and JS/400A				1.20 kg	12123
Screwed cable gland for separate pilot cable for JS/200A		PG11	5-10 mm	0.03 kg	13642

If required pilot cables can be inserted separately into the housing of the plug/socket outlet (screwed cable gland).

The plugs JS/250A and JS/400A are serially equipped with a screwed cable gland M20x1.5 for separate pilot cables.

Flexible elastomeric insulated cables NSSHÖU with 3 pilot cores are available on request.