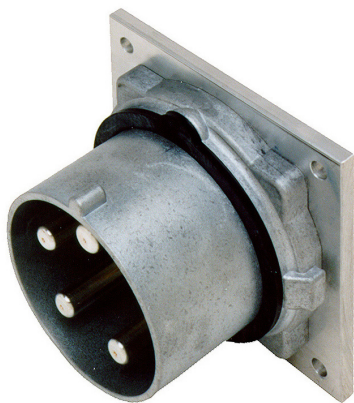


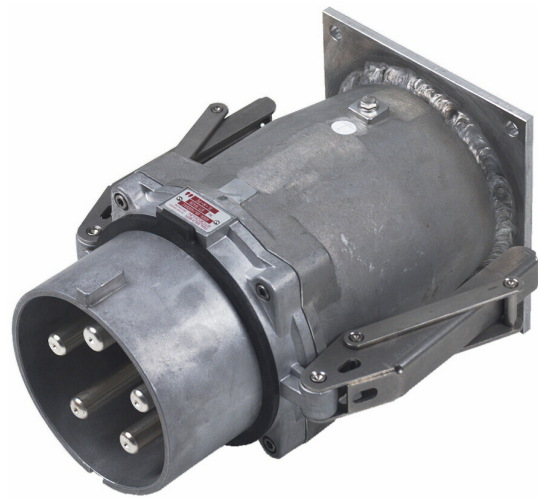
Panel mounted inlet JF

High current plug for the electrical connection of mobile consumer loads like construction machines, tunnel boring machines, conveyors, mining machines, cranes, ships, induction melting furnaces, test equipment, worksite distribution boards, etc.

Suitable for mobile connectors (JK).



200 A



250 / 400 A

Characteristics

- Current 200A, 250A, 400A
- Voltage up to 1'000 VAC, 50/60 Hz
- Number of poles: 4 poles (3L+PEN), 5 poles (3L+N+PE)
- Equipped with 2 leading pilot contacts
- Execution in accordance with IEC EN SN 60309-1
- Voltage identification in accordance with IEC EN SN 60309-2
- Very robust design
- Silver plated contact parts
- All screws and terminals in stainless steel
- Front part of the contact pins are exchangeable from the front side (250A and 400A), without removing the connected cable

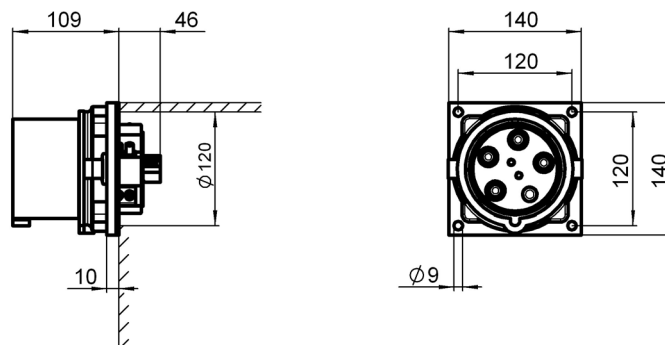
Technical data

Size	A	200	250	400
Rated current	A	250	315	450
Rated voltage	V	1'000	1'000	1'000
Rated frequency *	Hz	50 / 60	50 / 60	50 / 60
Withstand voltage (1 Min / 50 Hz)	V	4'000	4'000	4'000
Protection grade		IP X7	IP X7	IP X7
Ambient temperature	°C	-40 / +100	-40 / +100	-40 / +100
Insulation resistance (phase to phase and phase-to earth)	MOhm	> 500	> 500	> 500
Comparative tracking index of the insert	CTI	> 600	> 600	> 600
Weight 4 poles (3L+PEN)	kg	2.7	8.1	8.1
Weight 5 poles (3L+N+PE)	kg	2.9	8.6	8.6
Min. cross section, rigid conductors EN 60228 Class 1+2	mm ²	70	70	70
Max. cross section, rigid conductors EN 60228 Class 1+2	mm ²	150	240	240
Cross section pilot cable , conductor EN 60228 Class 1	mm ²	up to 4	up to 4	up to 4

* other frequencies on request

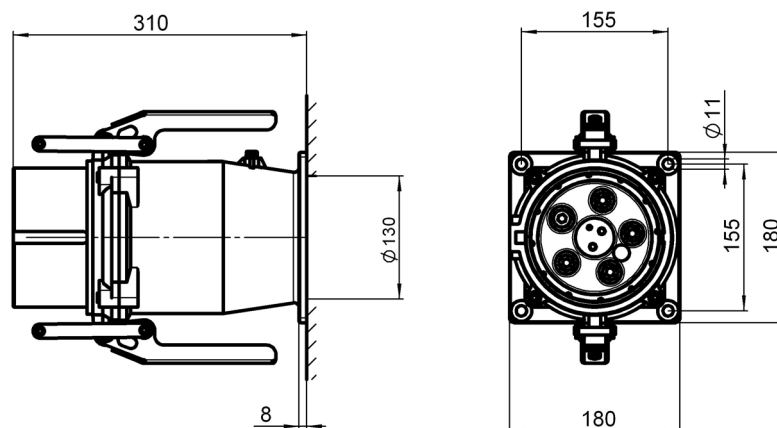
Dimensional drawings

JF/200A



JF/250A

JF/400A



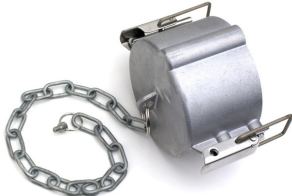
Ordering information

Current	Number of poles	Voltage/Identification	Type designation	Article No.
200 A	4 (3L+PEN)	230V / 9h	JF-S4/200A/230V	11730
		400V / 6h	JF-S4/200A/400V	11731
		500V / 7h	JF-S4/200A/500V	11732
		690V / 5h	JF-S4/200A/690V	11733
		1'000V / 1h	JF-S4/200A/1000V	11734
200 A	5 (3L+N+PE)	230V / 9h	JF-S5/200A/230V	11735
		400V / 6h	JF-S5/200A/400V	11736
		500V / 7h	JF-S5/200A/500V	11737
		690V / 5h	JF-S5/200A/690V	11738
		1'000V / 1h	JF-S5/200A/1000V	11739

Current	Number of poles	Voltage/Identification	Type designation	Article No.
250 A	4 (3L+PEN)	230V / 9h	JF-S4/250A/230V	11740
		400V / 6h	JF-S4/250A/400V	11741
		500V / 7h	JF-S4/250A/500V	11742
		690V / 5h	JF-S4/250A/690V	11743
		1'000V / 1h	JF-S4/250A/1000V	11744
250 A	5 (3L+N+PE)	230V / 9h	JF-S5/250A/230V	11745
		400V / 6h	JF-S5/250A/400V	11746
		500V / 7h	JF-S5/250A/500V	11747
		690V / 5h	JF-S5/250A/690V	11748
		1'000V / 1h	JF-S5/250A/1000V	11749

Current	Number of poles	Voltage/Identification	Type designation	Article No.
400 A	4 (3L+PEN)	230V / 9h	JF-S4/400A/230V	11750
		400V / 6h	JF-S4/400A/400V	11751
		500V / 7h	JF-S4/400A/500V	11752
		690V / 5h	JF-S4/400A/690V	11753
		1'000V / 1h	JF-S4/400A/1000V	11754
400 A	5 (3L+N+PE)	230V / 9h	JF-S5/400A/230V	11755
		400V / 6h	JF-S5/400A/400V	11756
		500V / 7h	JF-S5/400A/500V	11757
		690V / 5h	JF-S5/400A/690V	11758
		1'000V / 1h	JF-S5/400A/1000V	11759

Accessories

Description	Figure	Thread	Ø cable	Weight	Article No.
Cover cap for JF/200A				0.83 kg	12122
Cover cap for JF/250A and JF/400A				1.20 kg	12123

